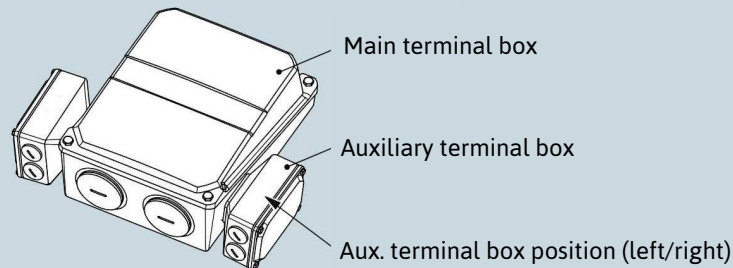


Auxiliary Terminal Boxes available for the range of cast iron motors.

- Standard size Auxiliary Terminal Box (order code R62)
- Large Auxiliary Terminal Box (order code R63)

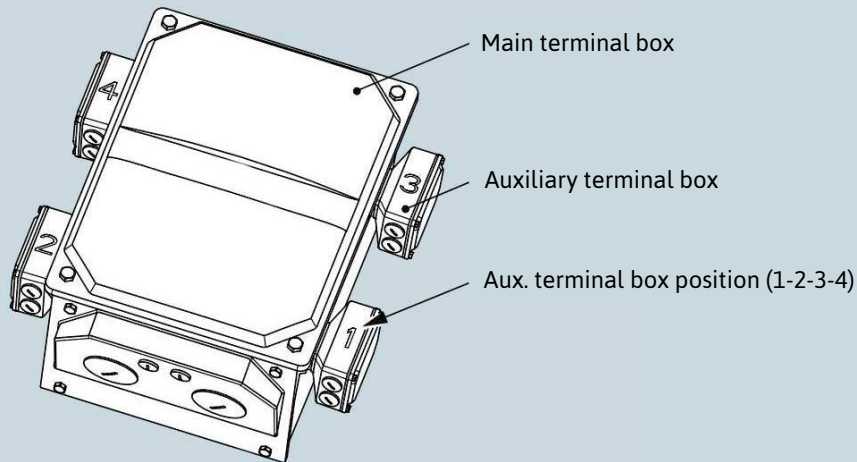
Motors of frame sizes 100L to 200L are available with 1off or 2off auxiliary Terminal Boxes.

The position of the cable entries to the auxiliary Terminal Boxes should be advised at the order placement.



Motors of frame sizes 225S to 355L are available with up to 4off auxiliary Terminal Boxes.

The position of the cable entries to the auxiliary Terminal Boxes should be advised at the order placement.



Cable glands in Auxiliary Terminal Boxes: up to frame size 200L: M16x1.5
frame size 225S & above: M20x1.5

[Download Drawing \(Standard Aux Terminal Box\)](#)

[Download Drawing \(Large Aux Terminal Box\)](#)